



KISII UNIVERSITY

UNIVERSITY EXAMINATIONS

EXAMINATION FOR THE AWARD OF
A DEGREE IN BACHELOR OF SCIENCE IN PUBLIC HEALTH
SESSION EXAMINATION 2022/2023
(JAN - MAY 2023)

PHES 130: TECHNICAL DRAWING & LAND SURVEY TECHNOLOGY

STREAM: BSC PH Y1S2

TIME: 2 HOURS

DAY: THURSDAY, 9:00 – 12:00 P.M.

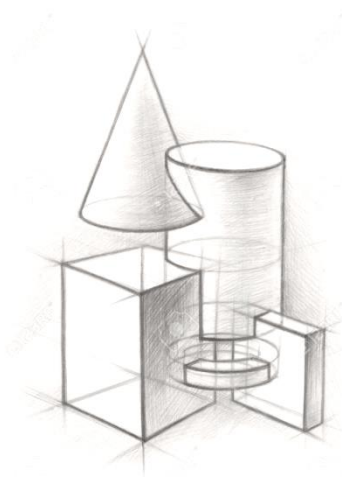
DATE:30/03/2023

INSTRUCTIONS

- 1. Do not write anything on this question paper.***
- 2. Answer question ONE and any other TWO questions.***

QUESTION ONE (10 MARKS)

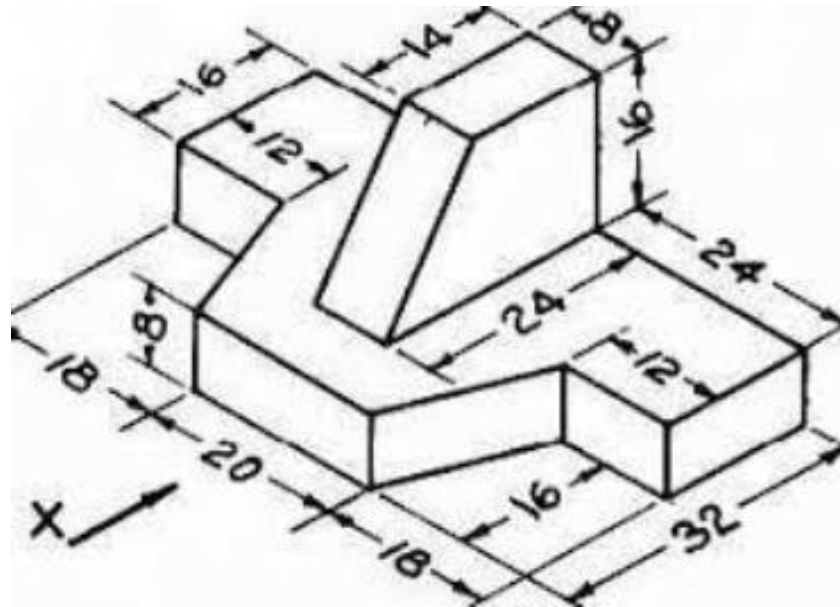
- Construct a regular heptagon in a circle of diameter 100 millimeters
(3 marks)
- Explain any two reasons why surveying is important in the society today.
(3 marks)
- Make a free hand sketch of the jointed shapes shown



(4 marks)

QUESTION TWO (20 MARKS)

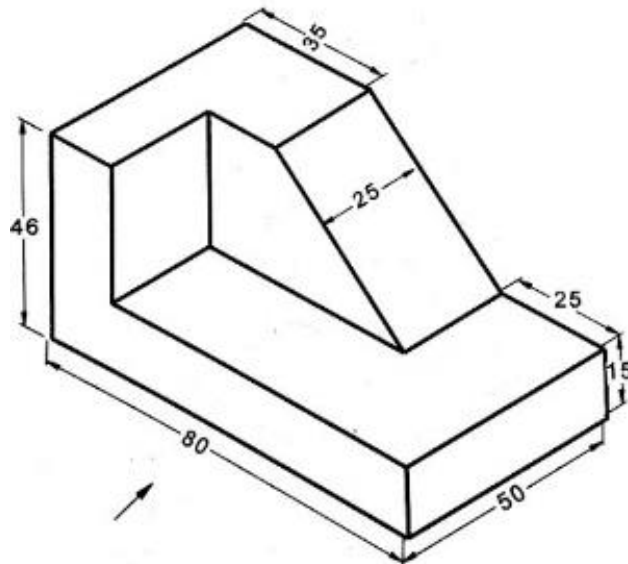
Draw, full size, an isometric projection of the block shown below.



(20 marks)

QUESTION THREE (20 MARKS)

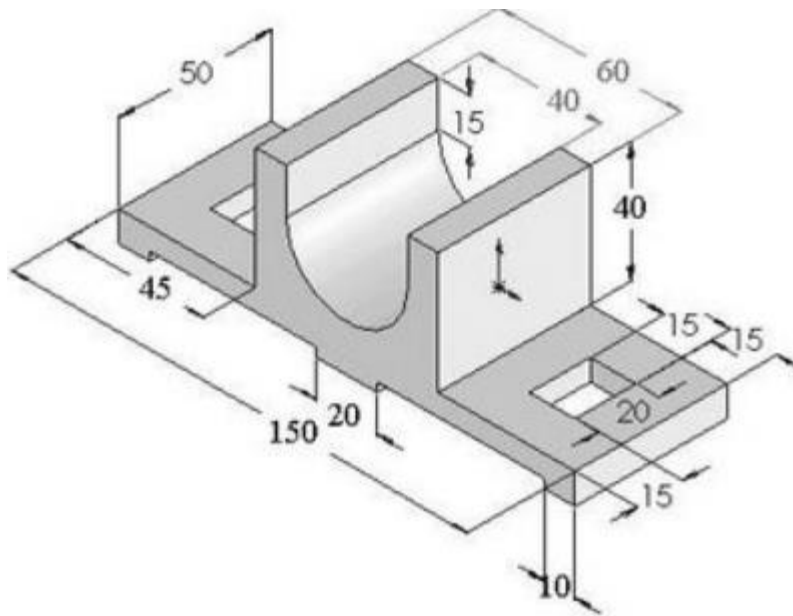
Draw the first angle orthographic projection of the simple isometric block shown. The arrow points in the direction of front elevation.



(20 marks)

QUESTION FOUR (20 MARKS)

Draw the block shown below in oblique projection. (All dimensions are in mm)



QUESTION FIVE (20 MARKS)

- a) Explain any three classifications of surveyors based on their specializations (6 marks)
- b) Discuss any five branches of surveying (10 marks)
- c) Discuss two applications of surveying in environmental health activities (4 marks)