



KISII UNIVERSITY

UNIVERSITY EXAMINATIONS **FIRST YEAR EXAMINATION FOR THE AWARD OF** **THE DEGREE OF BACHELOR OF SCIENCE IN PUBLIC HEALTH** **SECOND SEMESTER, 2021/2022** **(FEBRUARY - JUNE 2022)**

PHES 130: TECHNICAL DRAWING & LAND SURVEY TECHNOLOGY

STREAM: Y1S2

TIME: 3 HOURS

DAY: THURSDAY, 2:00 – 5:00 P.M.

DATE: 12/05/2022

INSTRUCTIONS

- 1. Do not write anything on this question paper.***
- 2. Answer question ONE and any other TWO questions.***

QUESTION ONE (10 MARKS)

- Explain the importance of surveying in the world today
- Make a free hand sketch of the hammer below

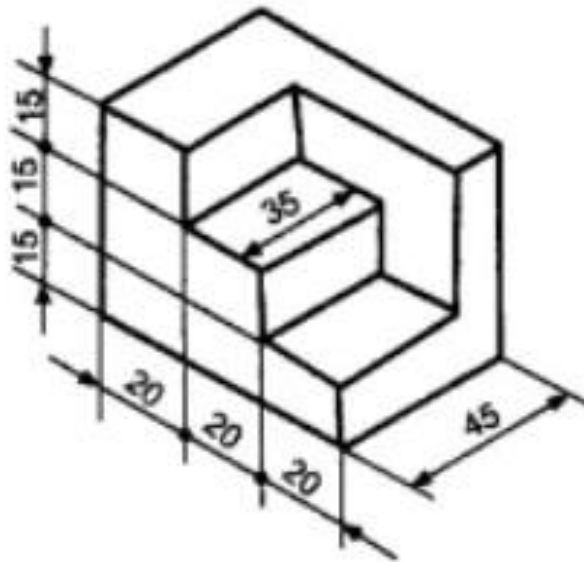
(5 marks)



(5 marks)

QUESTION TWO (20 MARKS)

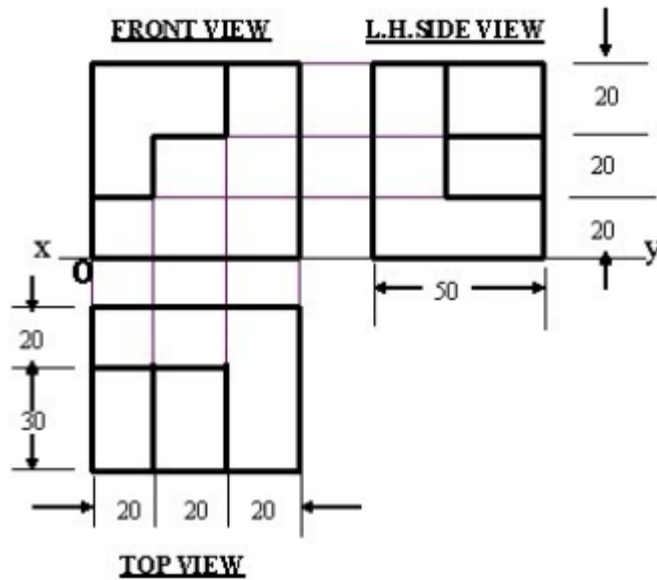
Draw, full size, an isometric projection of the block shown below.



(20 maks)

QUESTION THREE (20 MARKS)

From the orthographic projection shown, draw the simple block in oblique projection.



QUESTION FIVE (20 MARKS)

The figure below shows the loudspeaker grill of a car radio. The grill is rectangular with an elliptical hole. Draw the grill, full size, showing the construction of the ellipse clearly.

